



**IBIS**

---

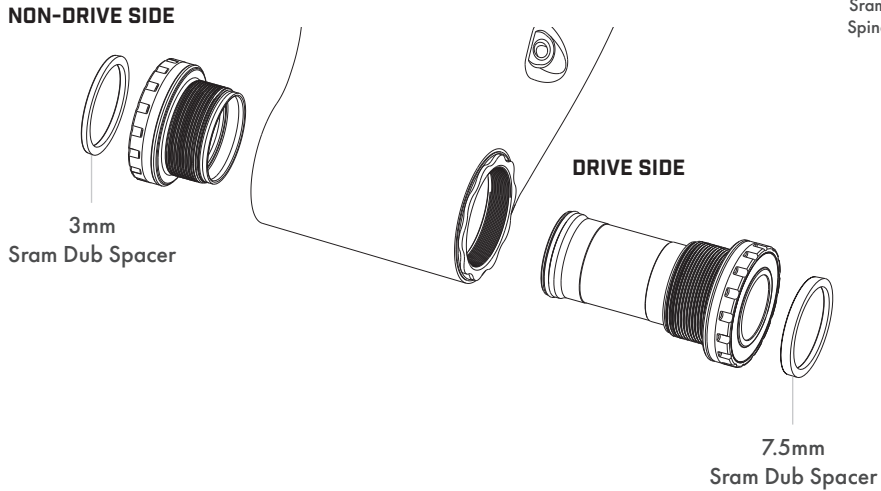
**BOTTOM BRACKET  
INSTALL GUIDE FOR  
55MM CHAINLINE**

## SRAM DUB WIDE CRANKSETS

- Install no spacers behind the bottom bracket cups.
- Install the 7.5mm plastic Sram Dub spacer onto the drive side crankset spindle external to the bottom bracket cup, install the 3mm plastic Sram Dub spacer onto the non-drive side crankset spindle external to the bottom bracket cup.

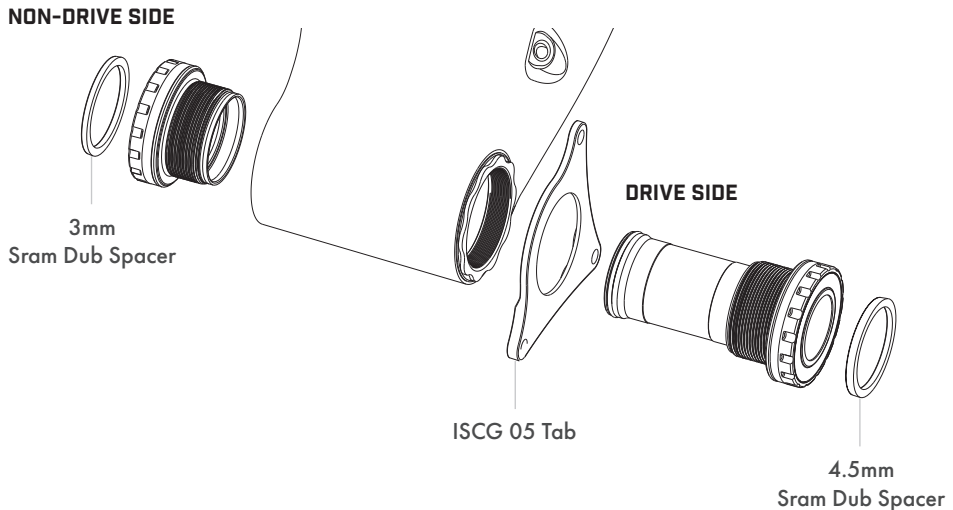


Sram DUB Wide Spindle Identifier



## SRAM DUB WIDE CRANKSETS WITH ISCG 05 TAB

- To use an ISCG 05 tab install the 4.5mm plastic Sram Dub spacer onto the drive side crankset spindle external to the bottom bracket cup, install the 3mm plastic Sram Dub spacer onto the non-drive side crankset spindle external to the bottom bracket cup.



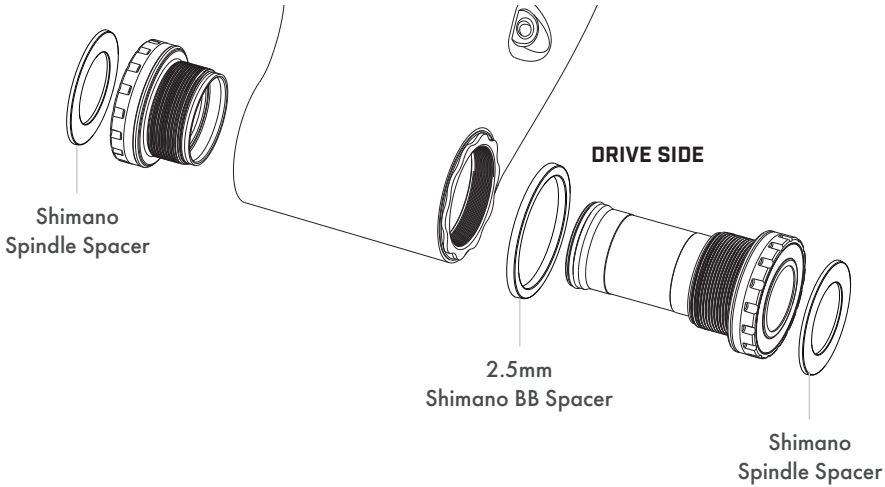
## SHIMANO 120 SERIES CRANKSETS

- Install 1x 2.5mm bottom bracket spacer behind the drive side bottom bracket cup.
- Install 1 plastic Shimano spindle spacer on each side of the cranksets spindle external to the bottom bracket cups (2 spacers total).



Shimano Spindle Spacer

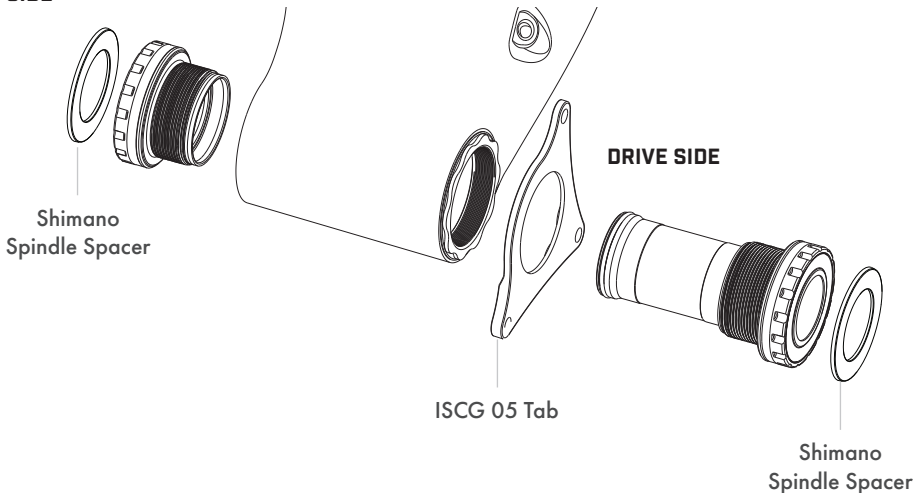
### NON-DRIVE SIDE



## SHIMANO 120 SERIES CRANKSETS WITH ISCG 05 TAB

- Install the ISCG 05 tab behind the drive side bottom bracket cup.
- Install 1 plastic Shimano spindle spacer on each side of the cranksets spindle external to the bottom bracket cups (2 spacers total).

### NON-DRIVE SIDE



## **WILL A 52MM CHAINLINE CRANKSET WORK ON MY NEW 55MM CHAINLINE BIKE?**

While 52mm chainline cranksets with 28T-30T chainrings may clear the frame, it's best to utilize a crankset capable of achieving the corresponding chainline to your frame. This will ensure the best shift quality and allow the use of larger chain rings. Always double check chainring clearance and fitment prior to riding.

---

**QUESTIONS?**  
[askchuck@ibiscycles.com](mailto:askchuck@ibiscycles.com)



**IBIS**