



IBIS

**BOTTOM BRACKET
INSTALL GUIDE FOR
55_{MM} CHAINLINE**

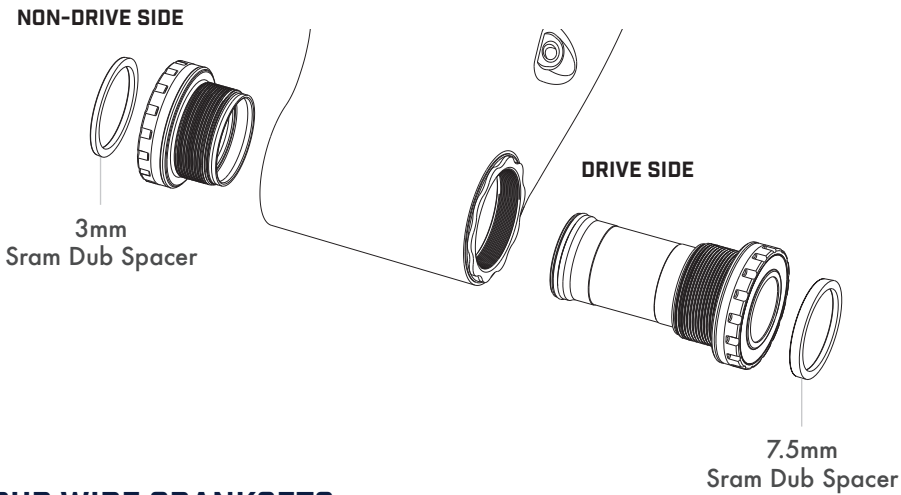
THIS GUIDE APPLIES TO: RIPMO V2S AND RIPLEY V4S.

SRAM DUB WIDE CRANKSETS

- Install no spacers behind the bottom bracket cups.
- Install the 7.5mm plastic Sram Dub spacer onto the drive side crankset spindle external to the bottom bracket cup, install the 3mm plastic Sram Dub spacer onto the non-drive side crankset spindle external to the bottom bracket cup.

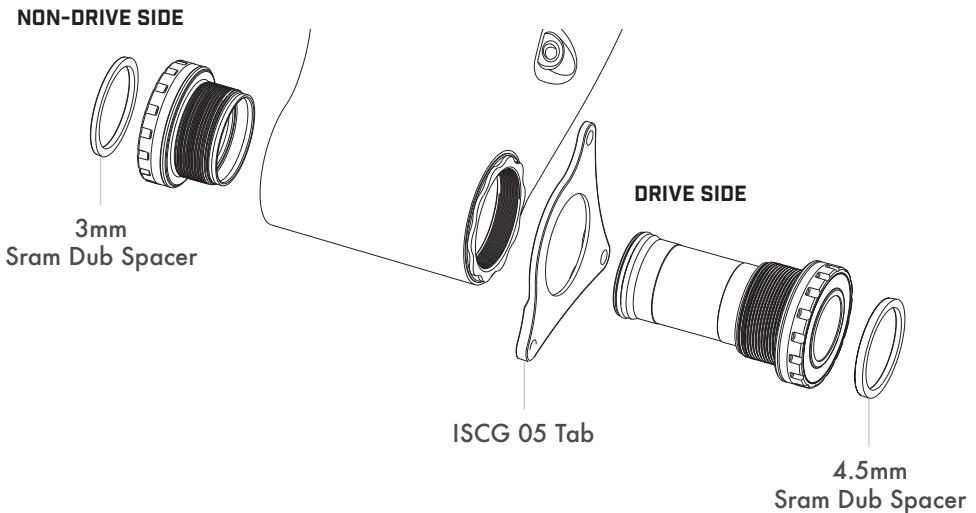


Sram DUB Wide
Spindle Identifier



SRAM DUB WIDE CRANKSETS WITH ISCG 05 TAB

- To use an ISCG 05 tab install the 4.5mm plastic Sram Dub spacer onto the drive side crankset spindle external to the bottom bracket cup, install the 3mm plastic Sram Dub spacer onto the non-drive side crankset spindle external to the bottom bracket cup.



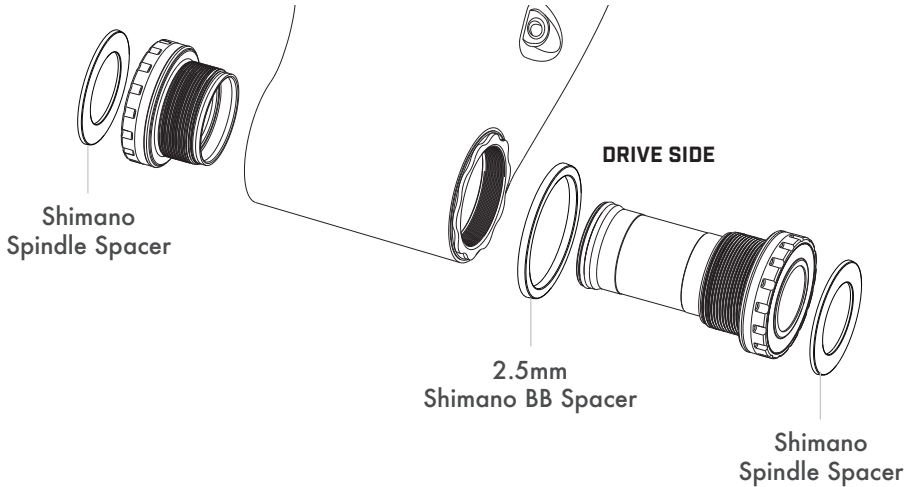
SHIMANO 120 SERIES CRANKSETS

- Install 1x 2.5mm bottom bracket spacer behind the drive side bottom bracket cup.
- Install 1 plastic Shimano spindle spacer on each side of the cranksets spindle external to the bottom bracket cups (2 spacers total).



Shimano Spindle Spacer

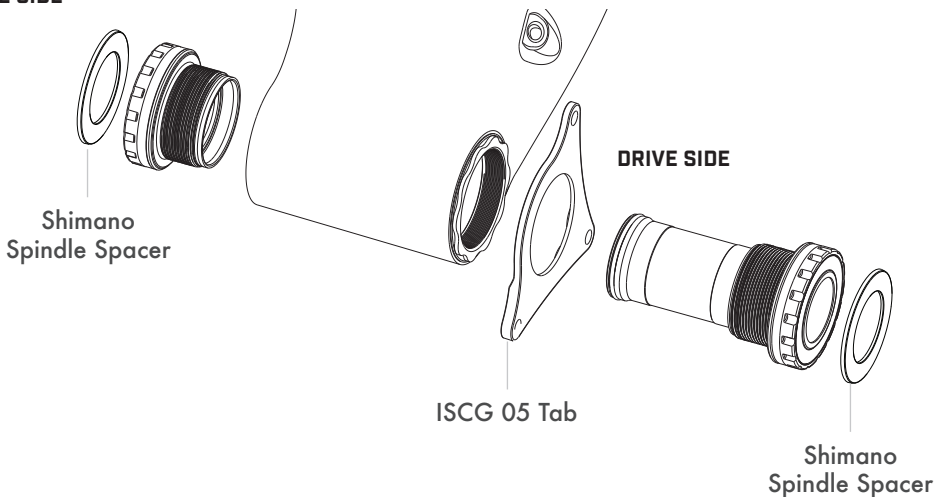
NON-DRIVE SIDE



SHIMANO 120 SERIES CRANKSETS WITH ISCG 05 TAB

- Install the ISCG 05 tab behind the drive side bottom bracket cup.
- Install 1 plastic Shimano spindle spacer on each side of the cranksets spindle external to the bottom bracket cups (2 spacers total).

NON-DRIVE SIDE



MY BIKE HAS A SRAM UDH DERAILLEUR HANGER, WHAT CRANKSETS ARE COMPATIBLE WITH MY BIKE?

Bikes with a Sram UDH derailleur hanger require a crankset capable of achieving a 55mm chainline. A variety of other manufacturers offer 55mm chainline cranksets. Verify with your preferred crankset manufacturer before purchasing and installing. The Exie is an exception to this rule and utilizes 52mm chainline cranksets.

HOW TO DETERMINE THE CORRECT CHAINLINE FOR YOUR BIKE.

Bikes with a Sram UDH derailleur hanger (Ripley V4S and Ripmo V2S) have a 55mm chainline. The Exie is an exception to this rule and utilizes 52mm chainline cranksets. Bikes with the Ibis 142/148 derailleur hanger (AFs, past carbon models) have a 52mm chainline. The Hakka MX has a 45-47.5mm chainline depending on the brand/model of the crankset.

WILL A 52MM CHAINLINE CRANKSET WORK ON MY NEW 55MM CHAINLINE BIKE?

While 52mm chainline cranksets with 28T-30T chainrings may clear the frame, it's best to utilize a crankset capable of achieving the corresponding chainline to your frame. This will ensure the best shift quality and allow the use of larger chain rings. Always double check chainring clearance and fitment prior to riding.

QUESTIONS?
askchuck@ibiscycles.com



IBIS